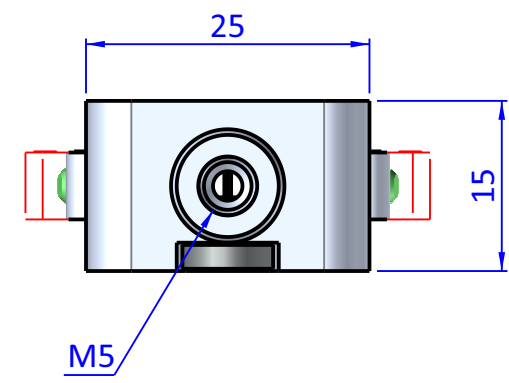
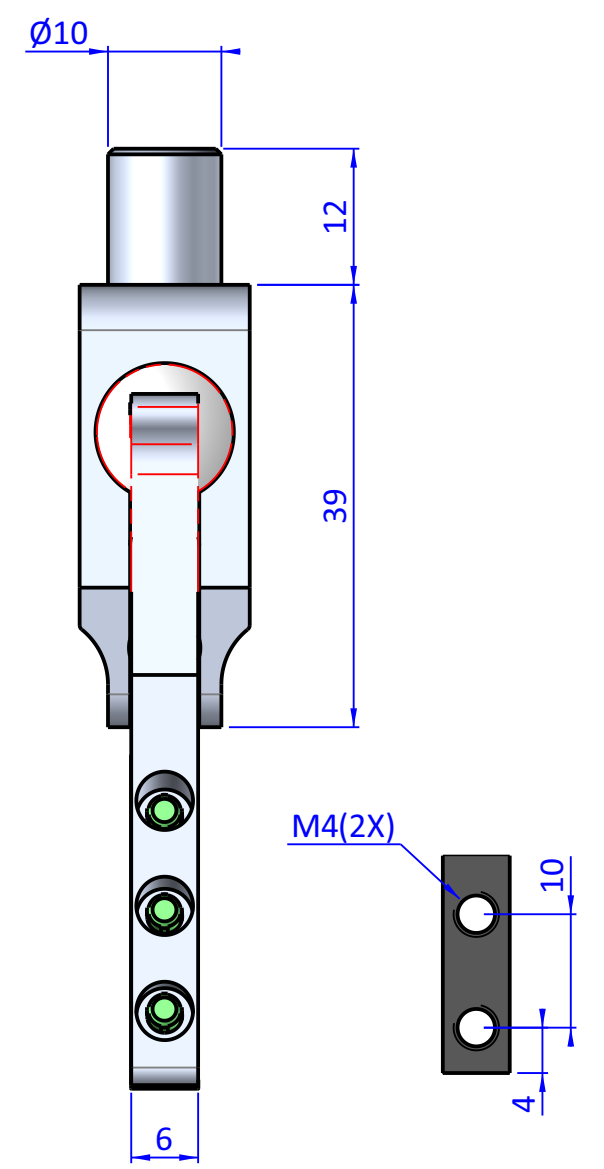
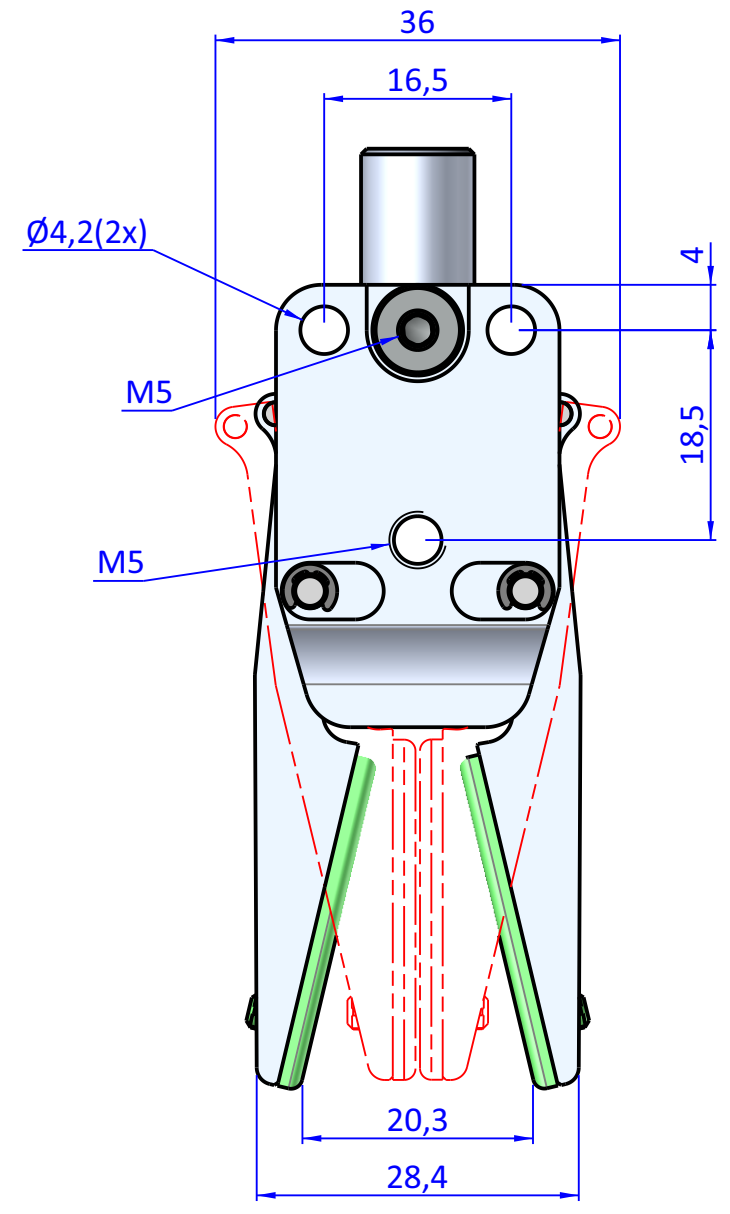
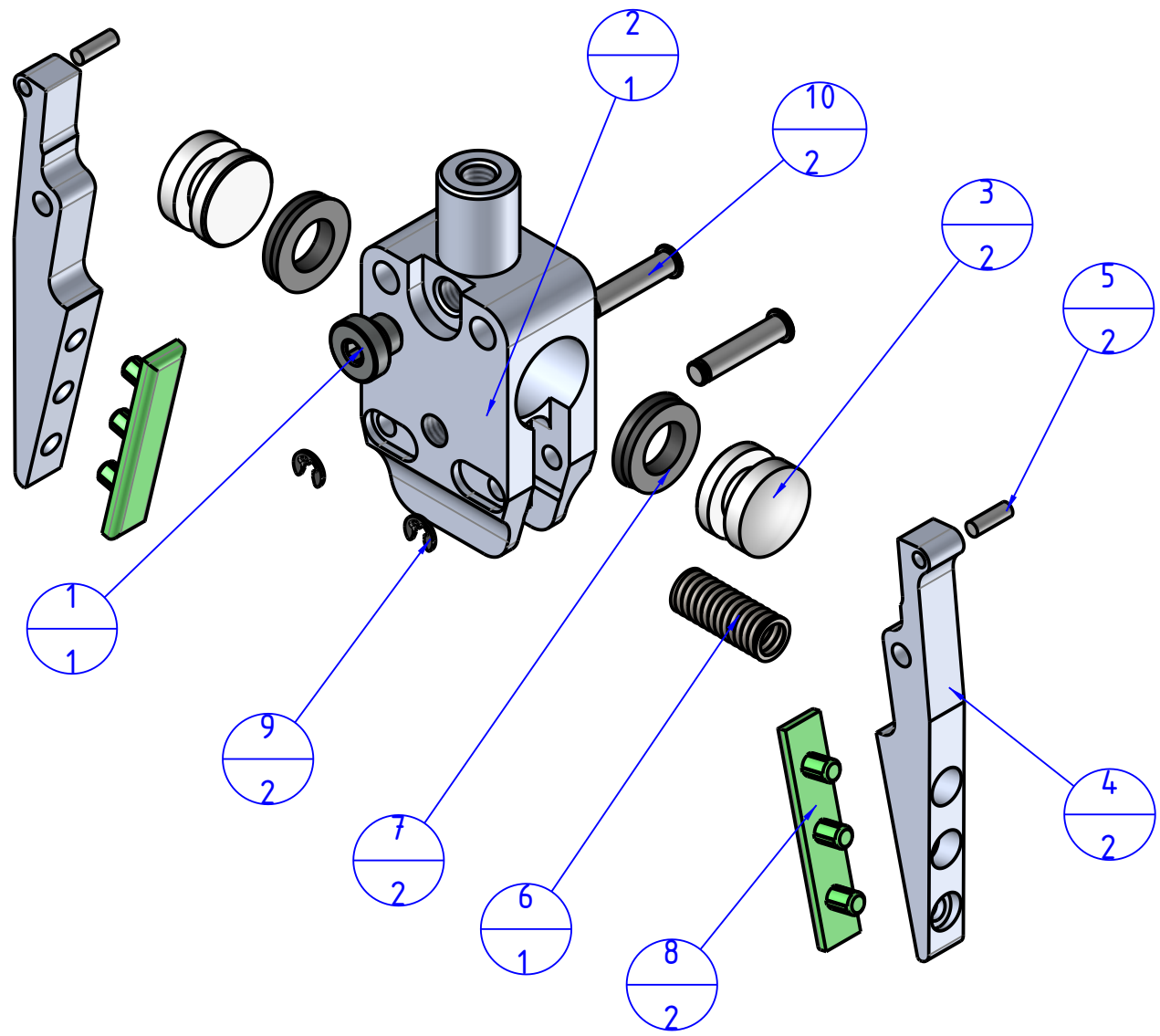



THE PROPERTY OF THE DRAWING IS ESTABLISHED BY LAW. IT IS FORBIDDEN TO PRODUCE OR SHOW IT TO THIRD PART. WITHOUT A WRITTEN AGREEMENT.

Item	Name	Q.ty
1	CA.08.14.013	1
2	GZA.10.12.1.L.01	1
3	GZA.10.12.2	2
4	GZA.10.12.3.G	2
5	GZA.10.12.9	2
6	M.6x25.SH	1
7	PSP.1269255	2
8	GZA.10.12.6.V	2
9	A.ELA.RA1.9	2
10	SP.3x15SS	2



Format A3  
UNI 936-76

 <b>FPS</b> FPSERVICES AUTOMATION		DESIGNED FROM		REVIEW
		FPS Automation		A
GENERAL TOLERANCE		DATE	WEIGHT	
UNI - ISO 2768		17/07/2023	0,035kg	
CLASSE f		DESCRIPTION	CODE	
		CA.GZA.10.12.18G	CA.GZA.10.12.18G	